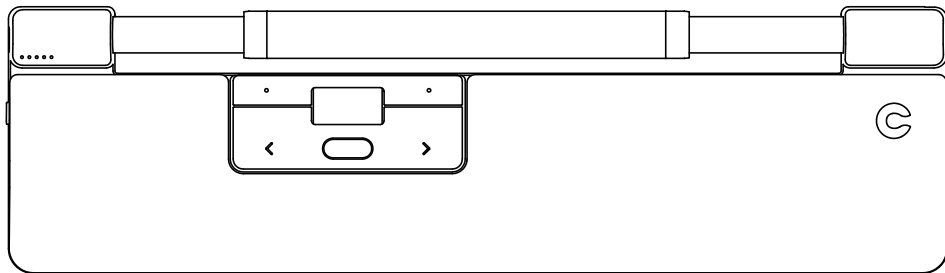


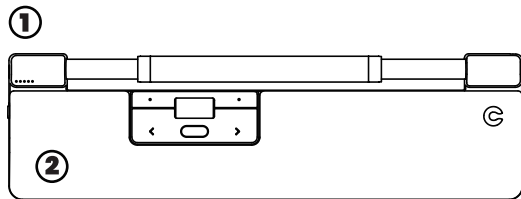
# RollerMouse Pro



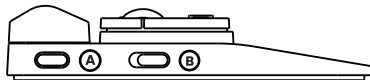
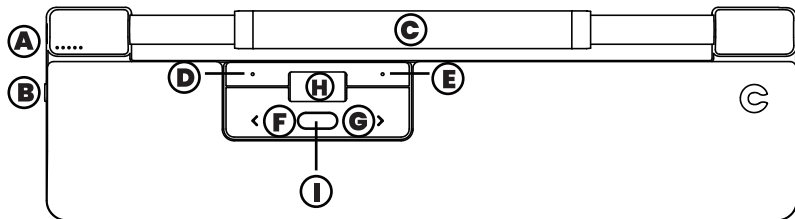
[www.contourdesign.com](http://www.contourdesign.com)

# What's in the Box ?

1. RollerMouse Pro
2. Wrist rest (if included)
3. Two Keyboard risers



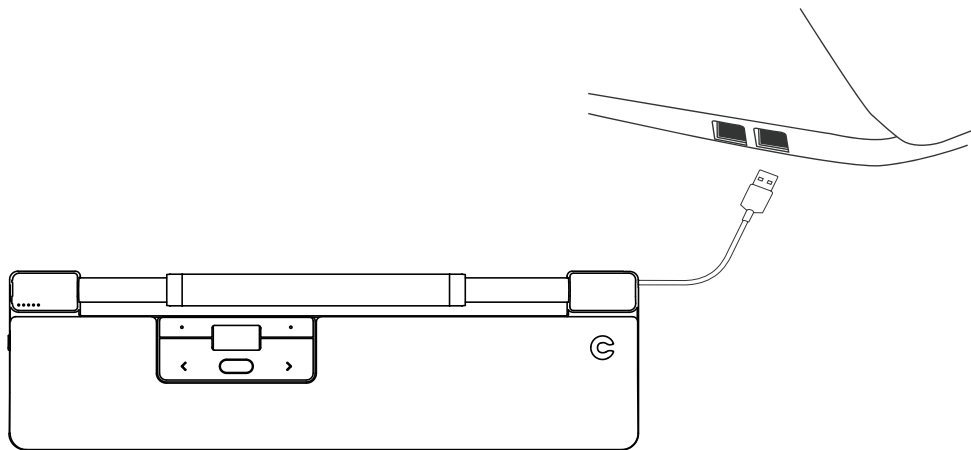
# Functions



- A. Cursor speed
- B. Power switch\*
- C. Rollerbar
- D. Copy
- E. Paste
- F. Left-click
- G. Right-click
- H. Scroll wheel
- I. "One Touch" double-click

\* No function for wired unit.

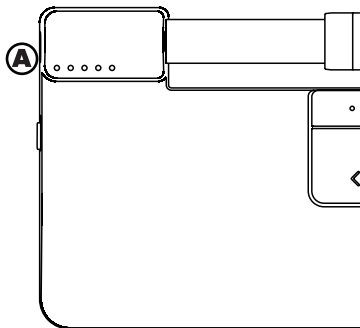
# Connecting Device



# Cursor Speed (DPI)

Press the Cursor speed button **A** to cycle through cursor speeds. There are speed selections which range from slow (600 DPI) to fast (2800 DPI). Speed can be identified by the LED lights as shown. Hold Cursor speed button **A** for 8 seconds to default settings.

●○○○○	○●○○○	○○●○○	○○○●○	○○○○●
600	800	1000	1200	1400
○●●●●	●○●●●	●●○●●	●●●●○	●●●●○
1600	1800	2000	2400	2800



## Click force adjustment

Click force refers to the level of resistance when clicking the Rollerbar. To change the click force, press and hold both the **A** (Cursor Speed) and the **F** (Left-click) buttons for two seconds, the LED light will show the current click force setting. While continuing to hold the **A** button, release the **F** button and use the scroll wheel (**H**) to change click force setting. Let go of **A** to select click force setting.

**Note:** The Rollerbar click function can be turned off using the above adjustment method, by moving the scroll wheel until all LEDs are lit.

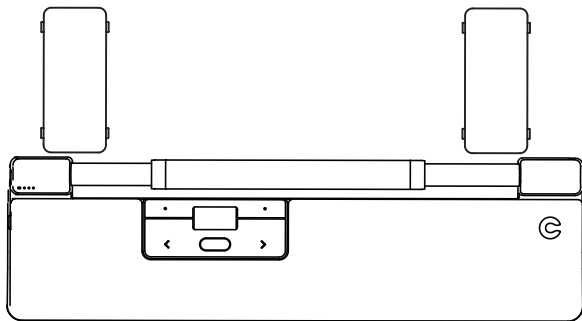
## Click volume adjustment

The Rollerbar has 6 different click volume settings. To change the click volume, press and hold both button **A** (Cursor speed) and button **G** (Right-click) for two seconds, the LED light will show current click volume setting. To adjust volume setting continuing to hold button **A** and release button **G**, then move button **H** (Scroll wheel) up/down to adjust the volume setting. Release button **A** to confirm adjusted click volume.

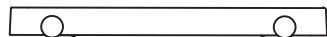
**Note:** The Rollerbar click volume can be turned off using the above adjustment method, by moving the scroll wheel until all LEDs are lit.

# Keyboard Risers

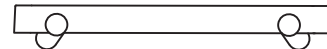
Before using your RollerMouse Pro, take a moment and adjust the keyboard risers to achieve the desired keyboard height and angle. For a proper ergonomic position, the front edge of the keyboard should be as close to the Rollerbar as possible.



Negative tilt



Neutral flat



Neutral elevated



Positive tilt



## 2-year Warranty

All Contour Design products come with a 2-year Warranty.



## Product Support

For information on software drivers, product manuals, and advanced product settings such as thin client mode, please visit [contourdesign.com/support](https://contourdesign.com/support)



## Sales Support

If you have questions about your recent purchase, email us:  
United States: [ergoinfo@contourdesign.com](mailto:ergoinfo@contourdesign.com)  
All other countries: [support@contour-design.com](mailto:support@contour-design.com)

# Contour®